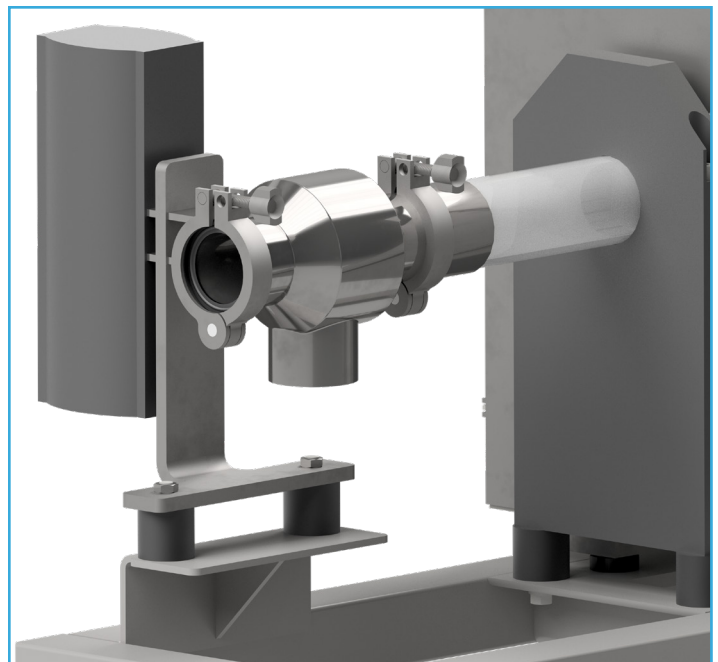




ProScan Max[®] III Pipeline: Features and Options

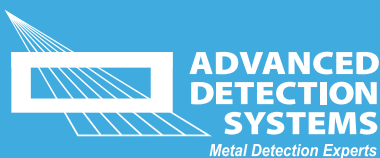
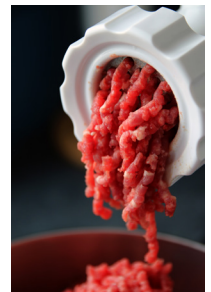
- ◇ Expert technical support from our factory
- ◇ Designed to fit into the existing plant's pipeline process
- ◇ Available in floor mounted or elevated positions
- ◇ 3-way sanitary divert valve reject component
- ◇ Sized to meet your specific requirements
- ◇ Search head features washdown ready construction



Three-Way Divert Valve removes metal contaminated product sanitarly and efficiently.

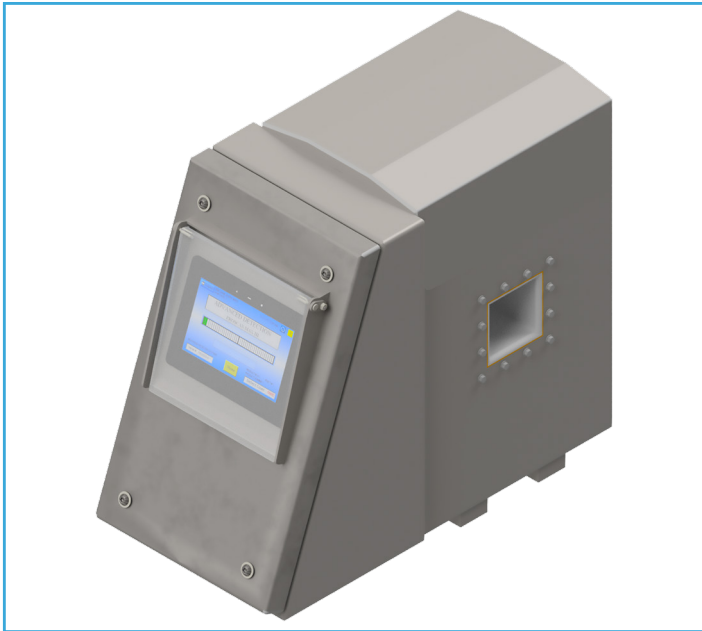
Specifications

- ◇ Power supply 115VAC standard
- ◇ Operating temps 0° to 45° C / 32° to 113° F (Lower operating temps available)
- ◇ Humidity: Up to 95% RH
- ◇ Reject timer options: Set from the touchscreen.
- ◇ Resilient Kynar[®] product flow tube construction



Get Detection Optimized for Your Product

Have your product professionally tested in our lab, free of charge. The results are used to optimize your ProScan Max III[®] detection levels for your product's specific characteristics. We stand by this method with a written guarantee.

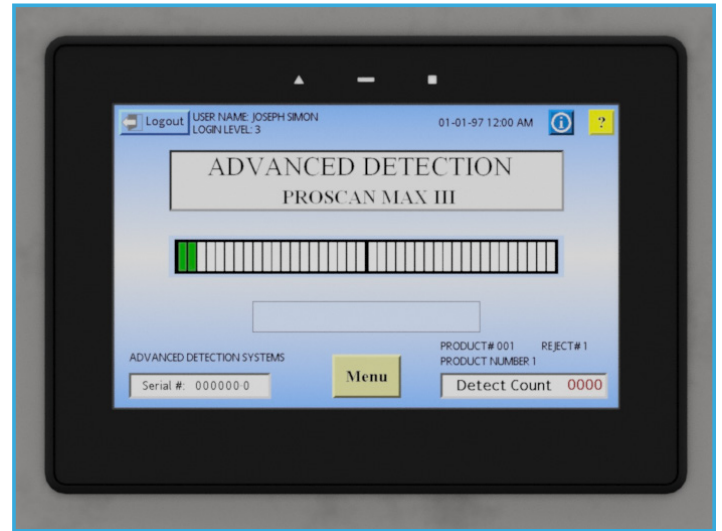


ProScan Max III Head

Washdown Ready Construction

- ◇ Water & Dust Ingress Protection
- ◇ High Pressure/High Temp Spray Down.

Water-tight sealing, as well as impact resistant touch screen cover; ensures equipment protection



ProScan Max III Touchscreen

ProScan Core Technologies



Acculearn Technology

Setting up products with the Acculearn Technology is easy and efficient. In as few as 30 seconds to a minute, the metal detector will learn a product's signature, allowing clean product to pass through while accurately identifying and rejecting product that has metal contamination.



Patented Vibration Technology

Advanced Detection Systems' vibration technology monitors interference created by vibration and automatically compensates for the effect, thus enhancing reliability.



Patented Auto-Balance

The ProScan Max[®] III's auto-balance software maintains perfect coil balance and optimum performance, eliminating the cost of a service technician plant visit to re-balance the metal detector.



Guaranteed Sensitivity

We test your product and calibrate our detectors to your product's specific needs and guarantee sensitivity.

More Information

Advanced Detection Systems has been identifying and meeting unique metal detection needs for over 30 Years.

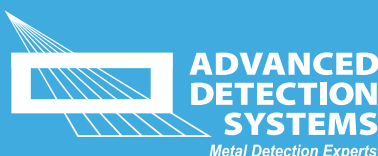
All equipment engineered and manufactured in Milwaukee, WI USA, which lets us provide a "one stop shop" for all your metal detection needs.

Fast-acting divert valves are used to effectively reject metal contaminated product.

Inline, space-efficient and economical metal detection of bulk liquid and viscous products (i.e. sauces, juices, etc.).

Complete metal detection system or individual components are available to meet your application requirements.

Advanced Detection Systems factory service support is HACCP (Hazard Analysis Critical Control Point) certified.



Get Detection Optimized for Your Product

Have your product professionally tested in our lab, free of charge. The results are used to optimize your Proscan Max III[®] detection levels for your product's specific characteristics. We stand by this method with a written guarantee.

Engineering Driven - Customer Service Focused

Aftermarket Support

At Advanced Detection Systems our entire staff strives to provide expert customer service. We teach you, our customers, about metal detection and how to best apply it to your specific application and industry. Our patented software installed into our products separate us from the competition and any other substitute available. We want to insure you make the best choice for your specific application.

Customer Focused Services

Advanced Detection Systems has developed a variety of services and training programs that are designed to help you stay current and apply detail-oriented analysis to the use of your metal detectors. We will assist you in making the best use of your metal detector investment. This includes the installation, start-up and all testing required for your metal detection system.

Some of the services we offer are: Verification Services for any make/model metal detector, On-site Field Service, Metal Detector Training, Software Upgrades and FREE Product Testing we'll use to guaranteed detection levels. Services are provided from our service technicians, factory sales and local representatives that are HACCP (Hazard Analysis Critical Control Point) certified. Our engineering, factory sales staff and local manufacturer's reps are also on standby to assist our customers.

Free Product Testing

Use our free product testing service to ensure that you are investing in the best possible metal detector for your application. Advanced Detection Systems product testing service is conducted promptly at our factory lab in Milwaukee, WI - USA. Our product testing procedure has been developed to provide savings for our customers. Using our product testing service up front leads to trouble free start-up of the metal detection system at your facility. This service allows us to build the metal detector for optimum performance and reliability for your specific products. When you utilize our product testing service, you will receive a factory Sensitivity Guarantee indicating the optimal ferrous, non-ferrous and stainless-steel detection levels for your specific products.

Verification Services

Advanced Detection Systems HACCP (Hazard Analysis Critical Control Point) certified factory service technicians and certified local representatives conduct verification services on-site and are compliant with most QA programs, audits, HACCP and GMP (Good Manufacturing Practices) standards. This service is offered on any make/model metal detection system or equipment.

Metal Detection Training

We recognize the importance of quality training for our customers to ensure they are using their investment in metal detection properly. Our training programs are conducted by certified factory service technicians and local representatives on-site or through computer screen/mobile device for our customer's convenience and safety. Advanced Detection Systems can also customize any training program to meet your specific needs. Our training programs can include information on: Metal Detection 101 - How They Work, Security Features - Protection from Unauthorized Tampering, supervisory personnel setup and clearances, electrical power supply and operation of the metal detector, accessing and managing data settings/change, Product Monitor, use of reject devices and settings, touchscreen calibration and menu options, and any specific topic per your application or industry.

Replacement Parts

Advanced Detection Systems offers replacement parts and spare parts for your equipment. Our factory trained service technicians, engineers and sales staff are experts on our metal detection systems. Metal detectors are a Critical Control Point and therefore must remain in service. Ask us about developing a spares part list for your specific metal detection system to prevent downtime that can be expensive and disastrous. Our staff is available to assist in identifying parts needed for your metal detector and we can easily look up the information in our system. Many parts are currently in stock and available for same day shipment, including electronic replacement parts that are unique to your specific metal detection system.

Field Service

We have responsive HACCP (Hazard Analysis Critical Control Point) certified service technicians and local representatives at your service. We offer a variety of plant level metal detector services that will ensure consistent metal detector performance and employee familiarity with the operation of your metal detection systems, such as: on-site trouble shooting for metal detectors, conveyors and reject devices, metal detector start-up and employee training, certification services, metal detector software upgrades, and metal detector testing.

**Call Us for Expert Support of
Advanced Detection Systems'
Equipment - Regardless of Age**



4740 West Electric Avenue
Milwaukee, WI 53219 USA

Phone: 414-672-0553

www.adsdetection.com