

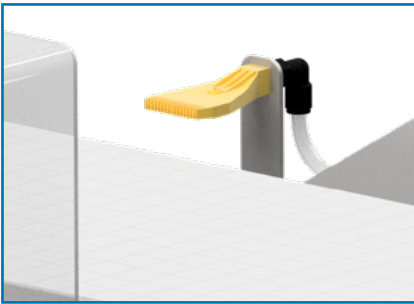
ADVANCED DETECTION SYSTEMS

Reject Devices for Proscan Conveyor Systems

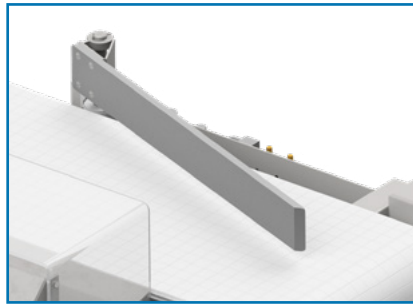
Metal detection systems are a two step process. First, the detection of metal and second, removal of the product that is contaminated with metal. Properly designed and adjusted, reject devices ensure that the “detected” metal is removed from your production.

The reject device selected is driven by your application. Our experienced sales and engineering staff will consider your belt width, belt speed and package size when sizing up the proper type of reject device for your metal detection system. We tailor our devices to fit your specific needs.

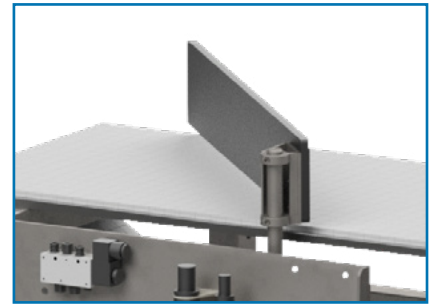
Reject Devices for ProScan Max III Metal Detection Systems



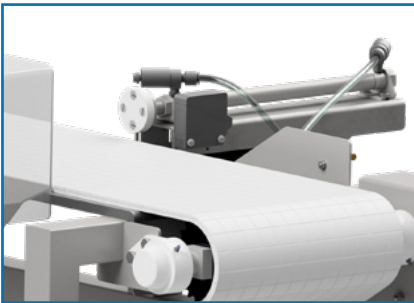
Air Blast
(Light Weight Packages)



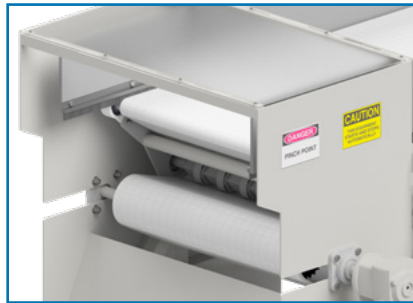
Sweep Arm
(Packaged Product)



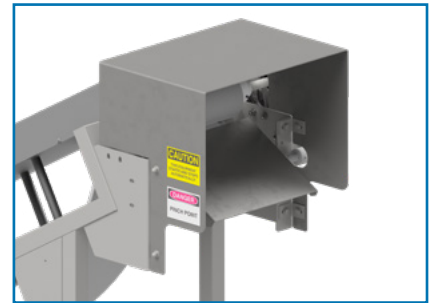
Divert Arm
(Packaged Product)



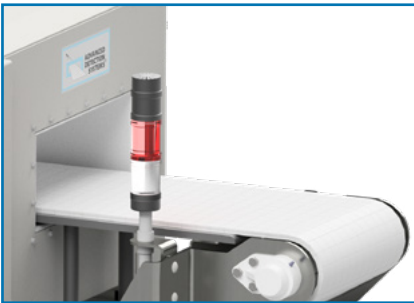
RAM (Push Arm)
(Heavy Packaged Product)



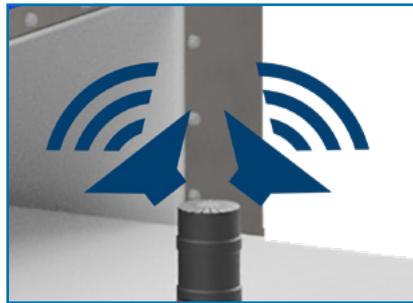
Retracting Pulley
(Bulk Applications)



Flop Gate
(Bulk Applications)



Detect Light



Detect Horn



Detect Light and Horn



Get Detection Optimized for Your Process

Have your product tested in our factory lab, free of charge. The results are used to optimize your ProScan's® detection levels for your specific product. We stand by this method with a written guarantee.

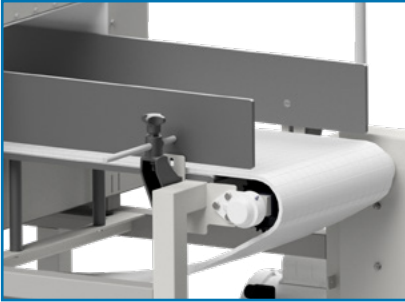
www.adsdetection.com (414)672-0553

ADVANCED DETECTION SYSTEMS

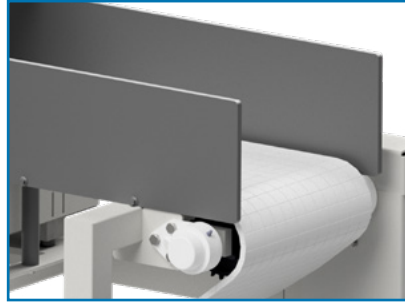
Accessories for Proscan Conveyor Systems

Accessories can be incorporated into the existing metal detection system as needed to meet your specific needs. Our accessories are beneficial in many ways as they protect your product stream, ensure employee safety and optimize operation in extreme temperatures.

Accessories for ProScan Conveyor Metal Detection Systems



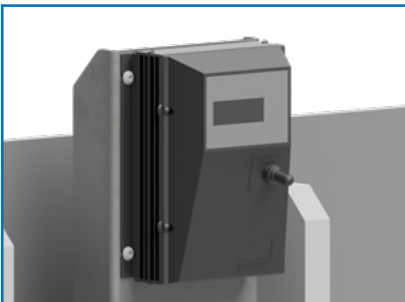
Adjustable Side Rails



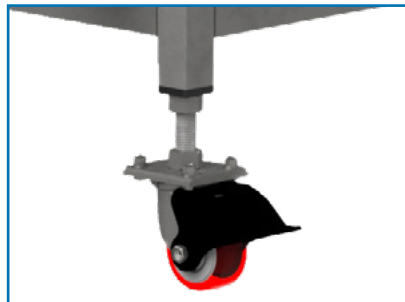
Fixed Side Rails



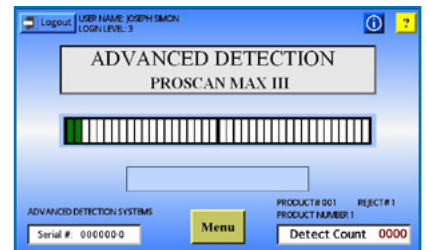
Pinch Point Guards



DC Variable Speed Drive



Heavy Duty Casters



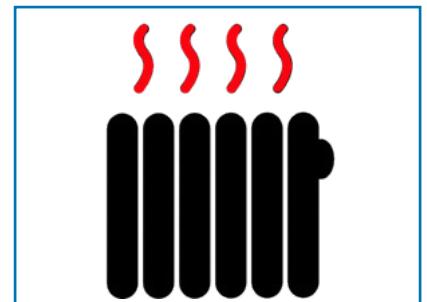
Web Enabled Touchscreen



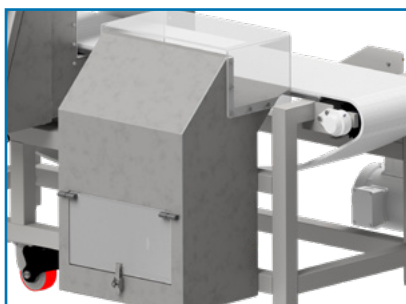
Infeed Hopper



ThermoDrive[®] Belt



Touchscreen Cabinet Heater



Lockable Reject Collection Bin



External Remote Control Cabinet