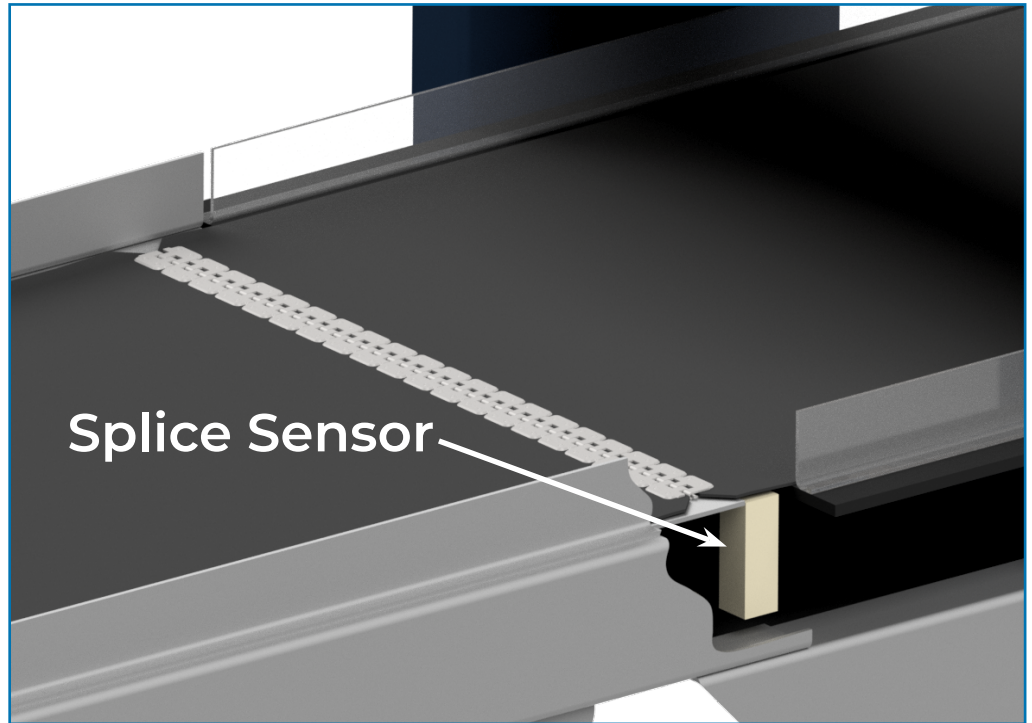


ADVANCED DETECTION SYSTEMS

SurroundScan Protector Splice Sensor



Splice Sensor



Splice Sensor Installed on Flat Belt Conveyor

What is a Splice Sensor

Splice sensors are used to facilitate the use of metal splices and repair clips in conveyor belts being used to carry product through a metal detector. Metal splices are typically used in quarry and mining or plastics and corrugated recycling conveyor belts because spliced belts are more economical and easier to maintain than endless belts in these applications.

Installation Locations

Splice sensors are installed on the conveyor frame 36" upstream of the metal detector, 3" upstream of the conveyor idler, and positioned near the edge of the conveyor belt.

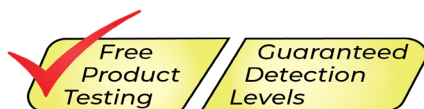
How Splice Sensors Work

The splice sensor detects the metal splice as it passes by and sends an electric signal to the metal detector reducing its sensitivity enough to accommodate the belt splice while still detecting the incremental signal of metal that could be in the material on top of the splice.

The metal detector settings used to accommodate the splice are established at the initial start-up of the metal detector. While material is being conveyed through the detector its Splice Auto Learn feature is used to establish the splice sensitivity setting and duration required to accommodate the splice while it's traveling through the detector's metal free zone.

Splice Options Affect Detection Levels

When using the splice sensor feature, belt splice size and design should be considered. A large magnetic ferrous splice(s) will cause the detector to stay in "splice mode" longer and reduce its sensitivity each time the splice passes through the detector's metal free zone. To reduce the time duration the detector is in "splice mode" and the splice signal amplitude, the use of nonferrous, non-magnetic and/or a smaller splice should be considered.



To learn more, please contact us:

Phone: 414-672-0553

Email: sales@adsdetection.com



ADVANCED DETECTION SYSTEMS

Aftermarket Support with Customer Service Focus

Advanced Detection Systems outstanding metal detector service is a team effort. Our sales, engineering and service staff experts coordinate our support to meet your specific service needs.

Provide Customer Focused Service

Over the years, Advanced Detection Systems has developed a variety of services and training programs. These are designed to help our customers stay current in the best practice methods of use for their metal detectors, optimizing the value of their metal detection investment. Your purchase of a metal detector from Advanced Detection Systems includes expert technical support for the life of the equipment. This includes installation, start-up and the testing needs for your metal detection system. Some of the services we offer are: Verification Services for any make/model metal detector, On-site Field Service, Metal Detector Training, Software Upgrades and FREE Product Testing with guaranteed detection levels. Service is provided from our service technicians, factory sales and local representatives that are HACCP (Hazard Analysis Critical Control Point) certified. Our engineering, factory sales staff and local manufacturer's reps are also on standby to assist our customers.

Free Product Testing

Use our free product testing service to ensure that you are investing in the best possible metal detector for your application. Advanced Detection Systems product testing service is conducted promptly at our factory lab in Milwaukee, WI - USA. Our up front product testing leads to trouble free start-up of the metal detection system at your facility. This service allows us to build the metal detector for optimum performance and reliability for your specific products. When you utilize our product testing service, you will receive a factory Sensitivity Guarantee indicating the optimal ferrous, non-ferrous and stainless-steel detection levels for your specific products.

Metal Detector Verification & Services

Advanced Detection Systems HACCP (Hazard Analysis Critical Control Point) certified factory service technicians and certified local representatives conduct verification and calibration services on-site and are compliant with most QA programs, audits, HACCP and GMP (Good Manufacturing Practices) standards.

As your metal detector usage comes under scrutiny applied by government regulations, auditors and your customers; there is an opportunity to meet expectations and improve your competitive advantage by being proactive in verifying your metal detectors on an annual basis. These services are offered on any make/model metal detection system or equipment.

Metal Detector Training

We recognize the importance of quality training for our customers to ensure optimal use of their metal detector. Our training programs are conducted by certified factory service technicians and local representatives on-site or if preferred, online for our customer's convenience. Advanced Detection Systems can also customize any training program to meet your specific needs. Our training programs can include information on: Metal Detector 101 - How They Work, Security Features - Protection from Unauthorized Tampering, supervisory personnel setup and clearances, electrical power supply and operation of the metal detector, accessing and managing data settings/change, Product Monitor, use of reject devices and settings, touchscreen calibration and menu options and any specific topic per your application or industry.

Replacement Parts

Advanced Detection Systems offers replacement parts and spare parts lists for your equipment. Our factory trained service technicians, engineers and sales staff are experts on our metal detection systems. Metal detectors are a Critical Control Point and therefore must remain in service. Ask us about developing a spares part list for your specific metal detection system to prevent downtime that can be expensive and disastrous. Our staff is available to assist in identifying parts needed for your metal detector and we can easily look up the information in our system. Many parts are currently in stock and available for same day shipment, including electronic replacement parts that are unique to your specific metal detection system.

Field Service

We have responsive HACCP (Hazard Analysis Critical Control Point) certified service technicians and local representatives at your service. We offer a variety of plant level metal detector services that will ensure consistent metal detector performance and employee familiarity with the operation of your metal detection systems, such as: on-site trouble shooting for metal detectors, conveyors and reject devices, metal detector start-up and employee training, verification services, metal detector software upgrades and metal detector testing.



4740 West Electric Avenue, Milwaukee, WI 53219 USA

www.adsdetection.com | sales@adsdetection.com

Phone: 414-672-1283

** Call Us For Expert Support of Advanced Detection Systems' Equipment - Regardless of Its Age*